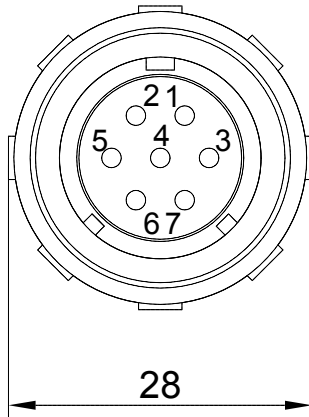


Steckerbelegung / *connector assignment*



PIN 1 : rot / *red*

PIN 2 : grün / *green*

PIN 3: blau / *blue*

PIN 4 : weiss / *white*

PIN 5: amber

PIN 6,7 : common